

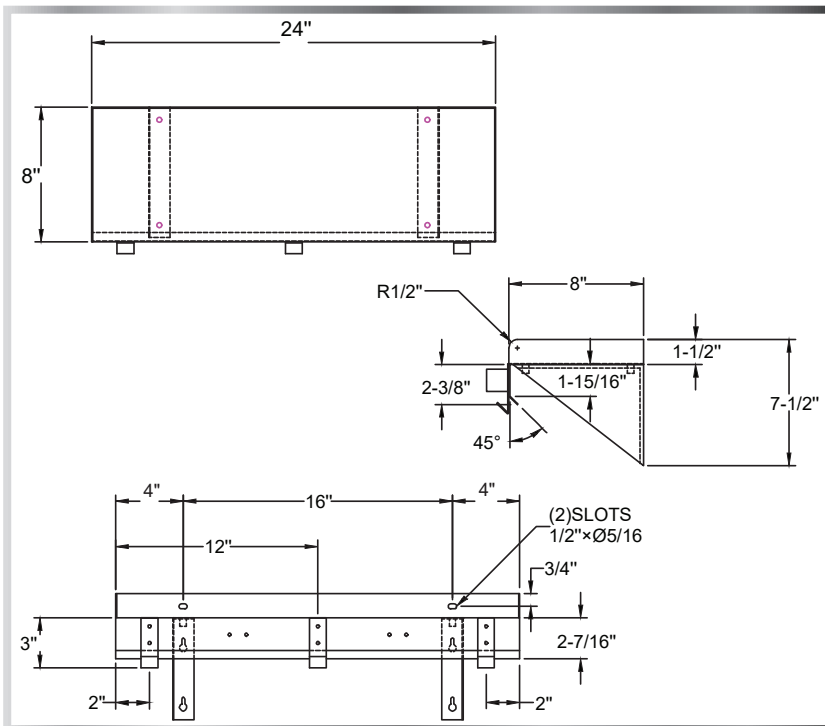
OPEN-BACK UTILITY SHELF

SHELVING - WALL



MATERIALS

- 18 Gauge 304 Stainless Steel



FEATURES

- Two Mop Hooks and Three Rag Hooks Mounted on Front
- Includes Mounting Kit

MODEL NUMBER	LENGTH	WIDTH
WS-US	24"	8"