

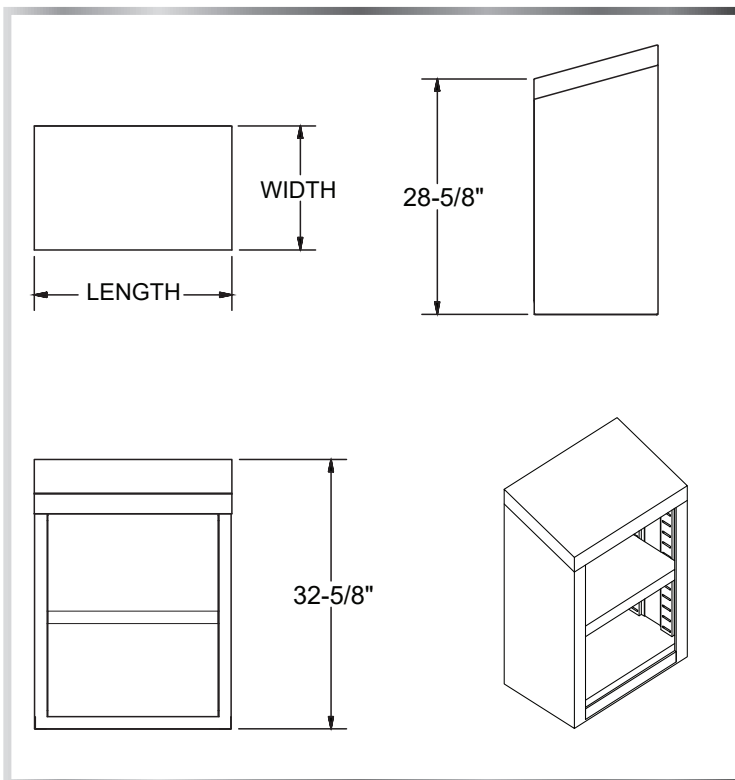
WALL CABINET - OPEN FRONT

CABINETS - WALL



MATERIALS

- 18 Gauge 304 Stainless Steel Construction



FEATURES

- Easy Mount to Wall
- Adjustable Middle Shelf

MODEL NUMBER	LENGTH	WIDTH
WCO-1524	24"	15"
WCO-1530	30"	15"
WCO-1536	36"	15"
WCO-1548	48"	15"