

# BLENDER STATION WITH DUMP SINK

## UNDERBAR - BLENDER STATIONS



### MATERIALS

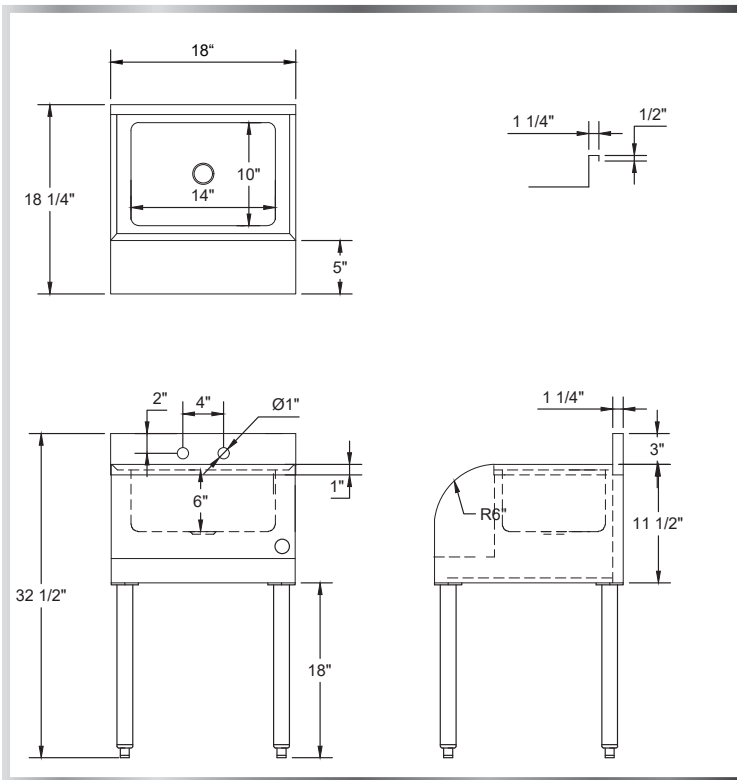
- 18 Gauge 304 Stainless Steel; Fabricated
- Stainless Steel Legs and Cross-Bracing
- Plastic Adjustable Bullet Feet



### FEATURES

- 4" On-Center Wall-Mounted Faucet Holes
- 1-½" Drain Hole With Rubber Grommet For Power Cord

Include a New 4" OC Faucet With Your Order! (See Page 87)



MODEL NUMBER	BOWL SIZE L X W X H	LENGTH	WIDTH
UW-1-1410-1818-H	14" x 10" x 6"	18"	18-¼"
UW-1-1410-1821-H	14" x 10" x 6"	18"	21-¼"