

BLENDER STATION

UNDERBAR - BLENDER STATIONS



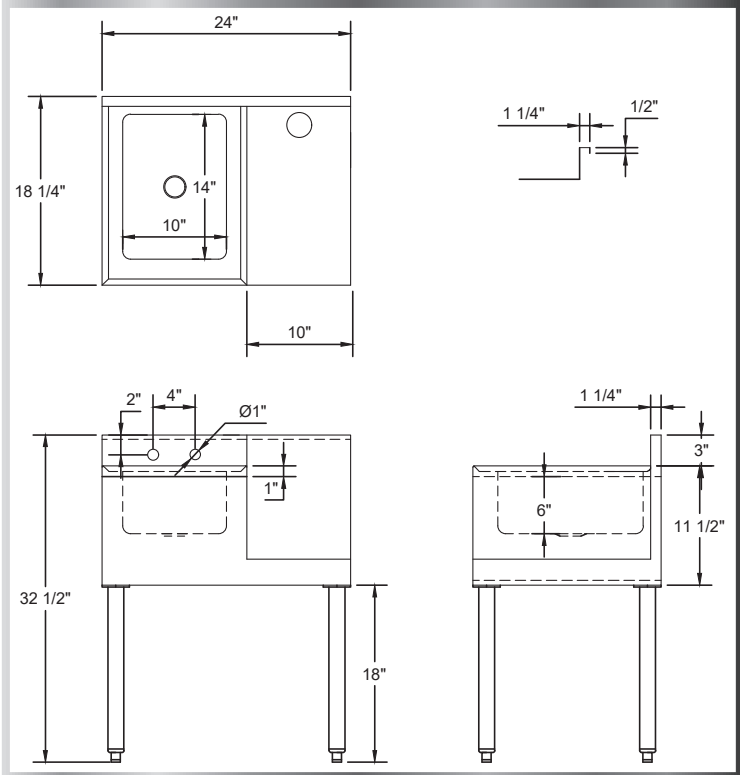
MATERIALS

- 18 Gauge 304 Stainless Steel; Fabricated
- Stainless Steel Legs and Cross-Bracing
- Plastic Adjustable Bullet Feet

FEATURES

- 4" On-Center Wall-Mounted Faucet Holes
- 2-½" Drain Hole With Rubber Grommet For Power Cord

Include a New 4" OC Faucet With Your Order! (See Page 87)



MODEL NUMBER	BOWL SIZE L X W X H	LENGTH	WIDTH
UW-1-1014-2418-RH	10" x 14" x 6"	24"	18-¼"