

PREMIUM WORKTABLE WITH 5" BACKSPLASH



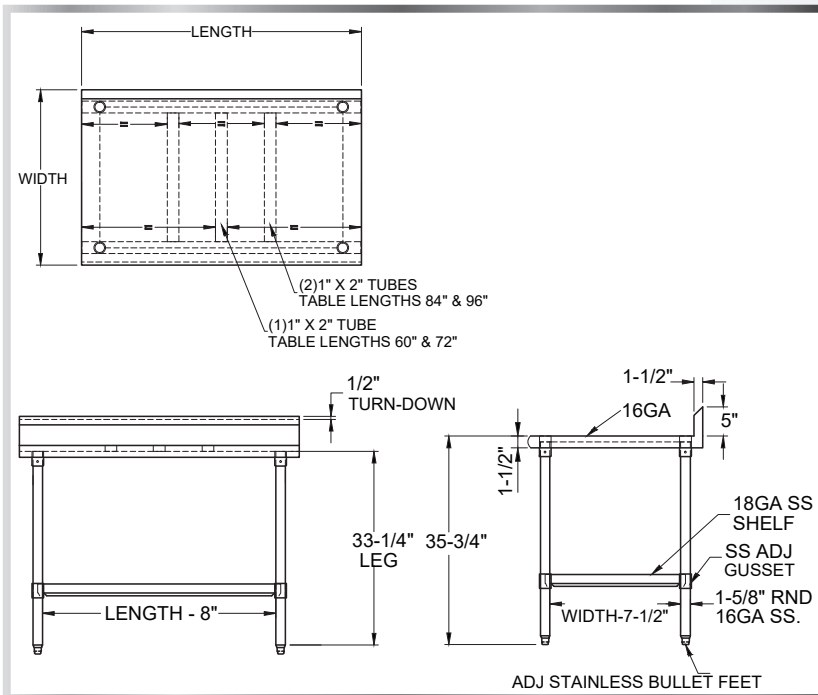
WORKTABLES - 5" SPLASH

MATERIALS

- 16 Gauge 304 Stainless Steel
- Stainless Steel Lower Shelf, Legs, and Bullet Feet



***To Add Casters
(LC-S4 or LC-S6*)...See
Page 139***



FEATURES

- Bullnose Front and Rear Edges
- Adjustable Lower Shelf
- Adjustable Bullet Feet (* Has 6 Legs/ Feet)

Include a Table Drawer and Table Mounted Over Shelf With Your Order!
(See Pages 137 & 143-144)

MODEL NUMBER	LENGTH	WIDTH
TS6-2424R5	24"	24"
TS6-3024R5	30"	24"
TS6-3624R5	36"	24"
TS6-4824R5	48"	24"
TS6-6024R5	60"	24"
TS6-7224R5	72"	24"
TS6-8424R5*	84"	24"
TS6-9624R5*	96"	24"

MODEL NUMBER	LENGTH	WIDTH
TS6-3030R5	30"	30"
TS6-3630R5	36"	30"
TS6-4830R5	48"	30"
TS6-6030R5	60"	30"
TS6-7230R5	72"	30"
TS6-8430R5*	84"	30"
TS6-9630R5*	96"	30"