

PREMIUM CROSS-BRACED WORKTABLE WITH 5" BACKSPLASH

WORKTABLES - CROSS-BRACED



***To Add Casters
(LC-S4 or LC-S6*)...See
Page 139***

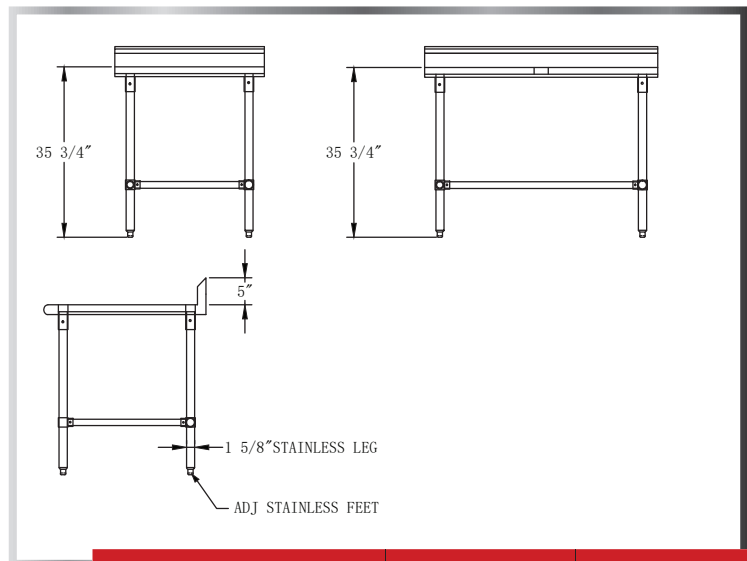
MATERIALS

- 16 Gauge 304 Stainless Steel
- Stainless Steel Cross-Bracing, Legs, and Bullet Feet

FEATURES

- Bullnose Front and Rear Edges
- Adjustable Bullet Feet (* Has 6 Legs/ Feet)
- Cross-Bracing For Reinforced Support

Include a Table Drawer and Table Mounted Over Shelf With Your Order!
(See Pages 137 & 143-144)



MODEL NUMBER	LENGTH	WIDTH
TS6-2424R5-X	24"	24"
TS6-3024R5-X	30"	24"
TS6-3624R5-X	36"	24"
TS6-4824R5-X	48"	24"
TS6-6024R5-X	60"	24"
TS6-7224R5-X	72"	24"
TS6-8424R5-X*	84"	24"
TS6-9624R5-X*	96"	24"

MODEL NUMBER	LENGTH	WIDTH
TS6-3030R5-X	30"	30"
TS6-3630R5-X	36"	30"
TS6-4830R5-X	48"	30"
TS6-6030R5-X	60"	30"
TS6-7230R5-X	72"	30"
TS6-8430R5-X*	84"	30"
TS6-9630R5-X*	96"	30"