

# PREMIUM FLAT TOP WORKTABLE

## WORKTABLES - FLAT TOP



**\*To Add Casters  
(LC-S4 or LC-S6\*)...**

**See Page 139\***

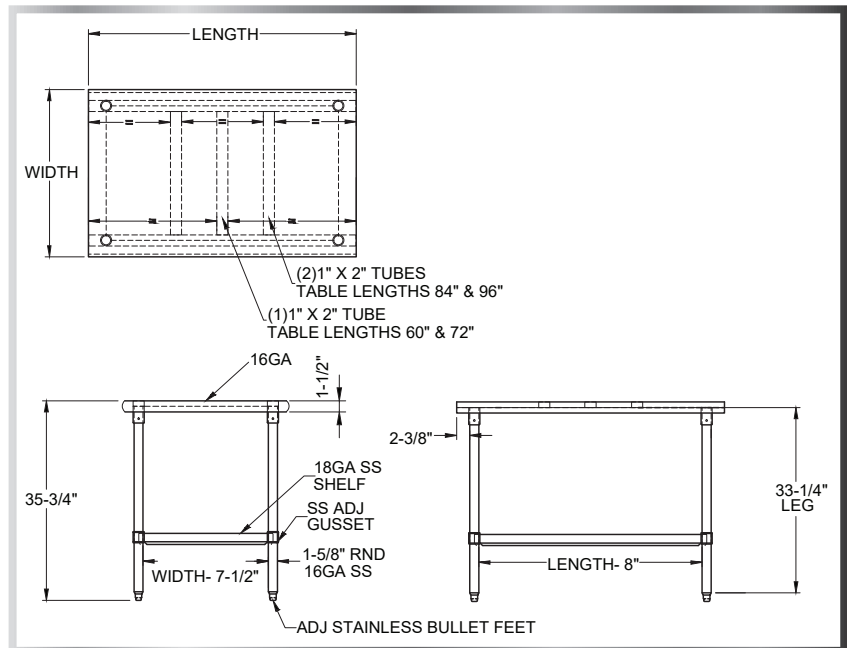
## MATERIALS

- 16 Gauge 304 Stainless Steel
- Stainless Steel Lower Shelf, Legs, and Bullet Feet

## FEATURES

- Bullnose Front and Rear Edges
- Adjustable Lower Shelf
- Adjustable Bullet Feet (\* Has 6 Legs/Feet)

Include a Table Drawer and Table Mounted Over Shelf With Your Order!  
(See Pages 137 & 143-144)



MODEL NUMBER	LENGTH	WIDTH
TS6-2424	24"	24"
TS6-3024	30"	24"
TS6-3030	30"	30"
TS6-3624	36"	24"
TS6-3630	36"	30"
TS6-4824	48"	24"
TS6-4830	48"	30"

MODEL NUMBER	LENGTH	WIDTH
TS6-6024	60"	24"
TS6-6030	60"	30"
TS6-7224	72"	24"
TS6-7230	72"	30"
TS6-8424*	84"	24"
TS6-8430*	84"	30"
TS6-9624*	96"	24"
TS6-9630*	96"	30"