

# PREMIUM WORKTABLE WITH 1-1/2" BACKSPLASH

WORKTABLES - 1-1/2" SPLASH



**\*To Add Casters  
(LC-S4)...See Page 139\***

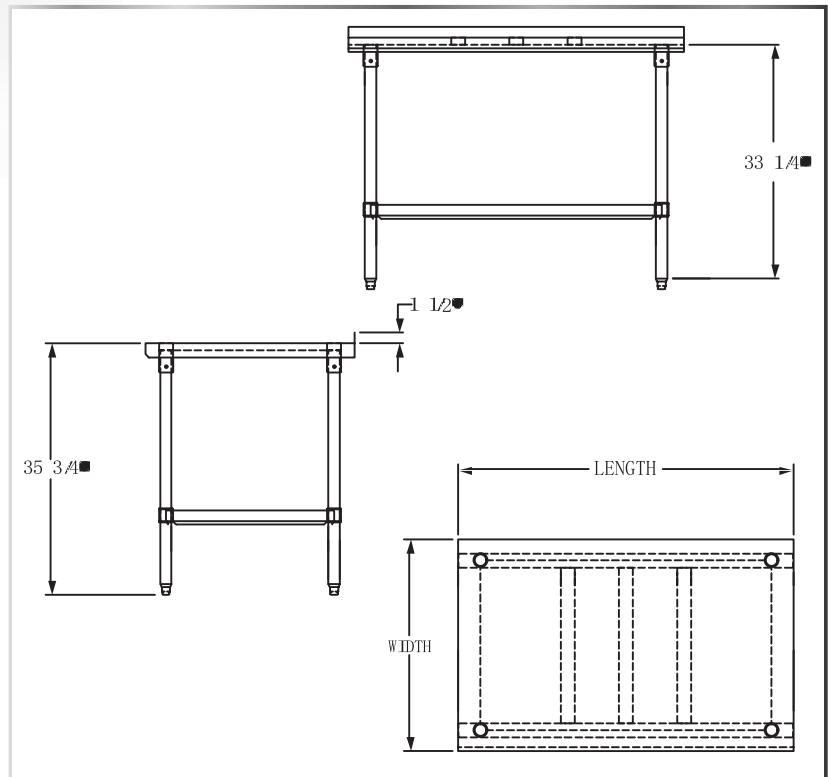
## MATERIALS

- 14 Gauge 304 Stainless Steel Top
- 18 Gauge 304 Stainless Steel Lower Shelf With Aluminum Corners
- Stainless Steel Legs and Bullet Feet

## FEATURES

- Straight Turndown Edges
- Adjustable Lower Shelf and Bullet Feet
- Available As Cross-Braced Worktable (X)

Include a Table Drawer and Table Mounted Over Shelf With Your Order!  
(See Pages 137 & 143-144)



MODEL NUMBER	LENGTH	WIDTH
TS4-4836R	48"	36"
TS4-6036R	60"	36"
TS4-7236R	72"	36"
TS4-4836R-X	48"	36"
TS4-6036R-X	60"	36"
TS4-7236R-X	72"	36"