

PREMIUM FLAT TOP WORKTABLE

WORKTABLES - FLAT TOP



MATERIALS

- 18 Gauge 430 Series Stainless Steel Top
- Stainless Steel Lower Shelf, Legs, and Bullet Feet



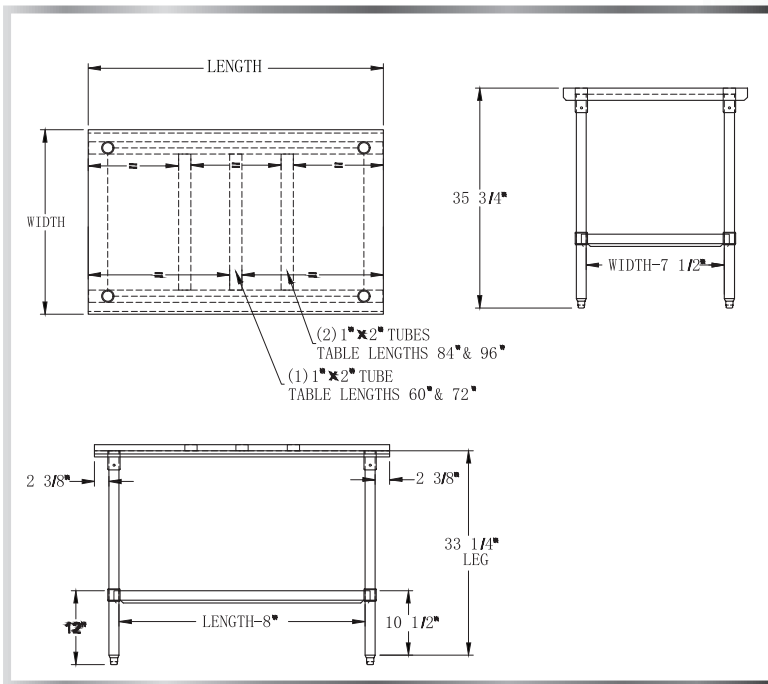
***To Add Casters
(LC-S4 or LC-S6*)...See**

Page 139*

FEATURES

- Straight Turndown Edges
- Adjustable Bullet Feet and Lower Shelf
(* Has 6 Legs)

Include a Table Drawer and Table Mounted Over Shelf With Your Order!
(See Pages 137 & 143-144)



MODEL NUMBER	LENGTH	WIDTH
TS-2418	24"	18"
TS-2424	24"	24"
TS-3018	30"	18"
TS-3024	30"	24"
TS-3030	30"	30"
TS-3618	36"	18"
TS-3624	36"	24"
TS-3630	36"	30"
TS-4818	48"	18"
TS-4824	48"	24"
TS-4830	48"	30"
TS-6018	60"	18"

MODEL NUMBER	LENGTH	WIDTH
TS-6024	60"	24"
TS-6030	60"	30"
TS-7218	72"	18"
TS-7224	72"	24"
TS-7230	72"	30"
TS-8418*	84"	18"
TS-8424*	84"	24"
TS-8430*	84"	30"
TS-9618*	96"	18"
TS-9624*	96"	24"
TS-9630*	96"	30"