

ECONOMY WORKTABLE WITH 5" BACKSPLASH

WORKTABLES - 5" SPLASH

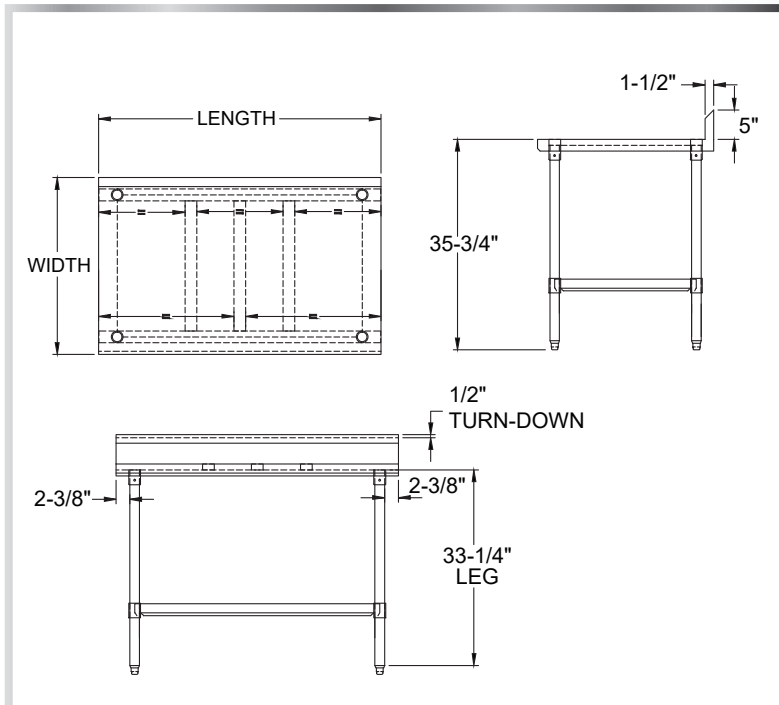


MATERIALS

- 18 Gauge 430 Series Stainless Steel Top
- Galvanized Lower Shelf and Legs
- Plastic Bullet Feet



***To Add Casters
(LC-G4 or LC-G6*)...See
Page 139***



FEATURES

- Straight Turndown Edges
- Adjustable Lower Shelf and Bullet Feet (* Has 6 Legs)

Include a Table Drawer and Table Mounted Over Shelf With Your Order!
(See Pages 137 & 143-144)

MODEL NUMBER	LENGTH	WIDTH
TG-2424R5	24"	24"
TG-3024R5	30"	24"
TG-3624R5	36"	24"
TG-4824R5	48"	24"
TG-6024R5	60"	24"
TG-7224R5	72"	24"
TG-8424R5*	84"	24"
TG-9624R5*	96"	24"

MODEL NUMBER	LENGTH	WIDTH
TG-3030R5	30"	30"
TG-3630R5	36"	30"
TG-4830R5	48"	30"
TG-6030R5	60"	30"
TG-7230R5	72"	30"
TG-8430R5*	84"	30"
TG-9630R5*	96"	30"