

ECONOMY CROSS-BRACED WORKTABLE WITH 1-1/2" BACKSPASH

WORKTABLES - CROSS-BRACED



***To Add Casters
(LC-G4 or LC-G6*)...See
Page 139***

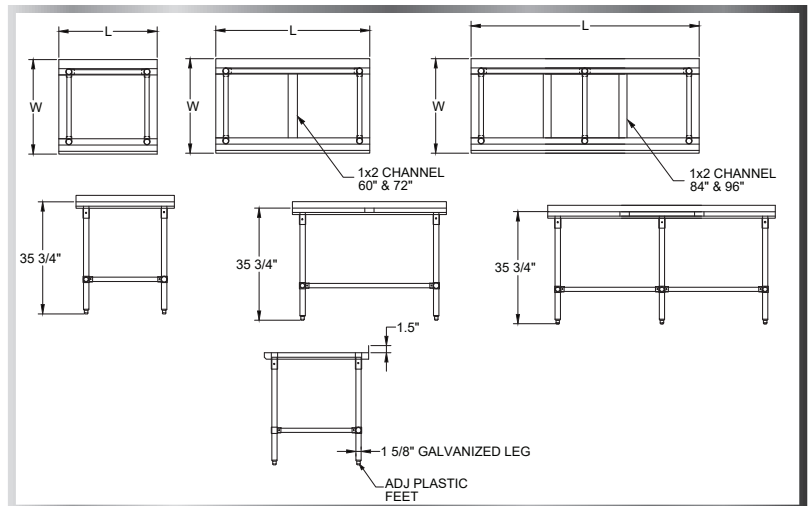
MATERIALS

- 18 Gauge 430 Series Stainless Steel Top
- Galvanized Cross-Bracing and Legs
- Plastic Bullet Feet

FEATURES

- Straight Turndown Edges
- Adjustable Bullet Feet (* Has 6 Legs)
- Cross-Bracing For Reinforced Support

Include a Table Drawer and Table Mounted Over Shelf With Your Order!
(See Pages 137 & 143-144)



MODEL NUMBER	LENGTH	WIDTH
TG-2424R-X	24"	24"
TG-3024R-X	30"	24"
TG-3030R-X	30"	30"
TG-3624R-X	36"	24"
TG-3630R-X	36"	30"
TG-4824R-X	48"	24"
TG-4830R-X	48"	30"

MODEL NUMBER	LENGTH	WIDTH
TG-6024R-X	60"	24"
TG-6030R-X	60"	30"
TG-7224R-X	72"	24"
TG-7230R-X	72"	30"
TG-8424R-X*	84"	24"
TG-8430R-X*	84"	30"
TG-9624R-X*	96"	24"
TG-9630R-X*	96"	30"