

# ECONOMY FLAT TOP WORKTABLE

WORKTABLES - FLAT TOP



**\*To Add Casters  
(LC-G4 or LC-G6\*)...See  
Page 139\***

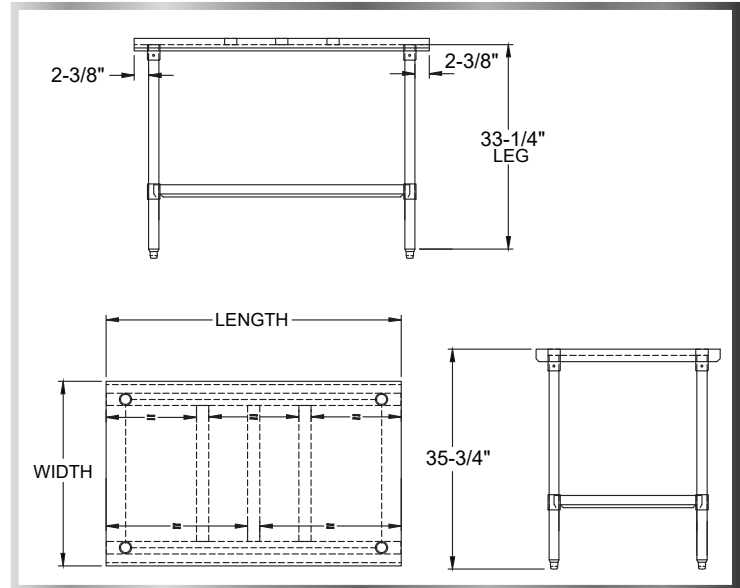
## MATERIALS

- 18 Gauge 430 Series Stainless Steel Top
- Galvanized Lower Shelf and Legs
- Plastic Bullet Feet

## FEATURES

- Straight Turndown Edges
- Adjustable Lower Shelf and Bullet Feet (\* Has 6 Legs)

Include a Table Drawer and Table Mounted Over Shelf With Your Order!  
(See Pages 137 & 143-144)



MODEL NUMBER	LENGTH	WIDTH
TG-2424	24"	24"
TG-3024	30"	24"
TG-3030	30"	30"
TG-3618	36"	18"
TG-3624	36"	24"
TG-3630	36"	30"
TG-4818	48"	18"
TG-4824	48"	24"
TG-4830	48"	30"
TG-6018	60"	18"

MODEL NUMBER	LENGTH	WIDTH
TG-6024	60"	24"
TG-6030	60"	30"
TG-7218	72"	18"
TG-7224	72"	24"
TG-7230	72"	30"
TG-8424*	84"	24"
TG-8430*	84"	30"
TG-9618*	96"	18"
TG-9624*	96"	24"
TG-9630*	96"	30"