

ECONOMY FILLER TABLE

WORKTABLES - FILLER TABLES

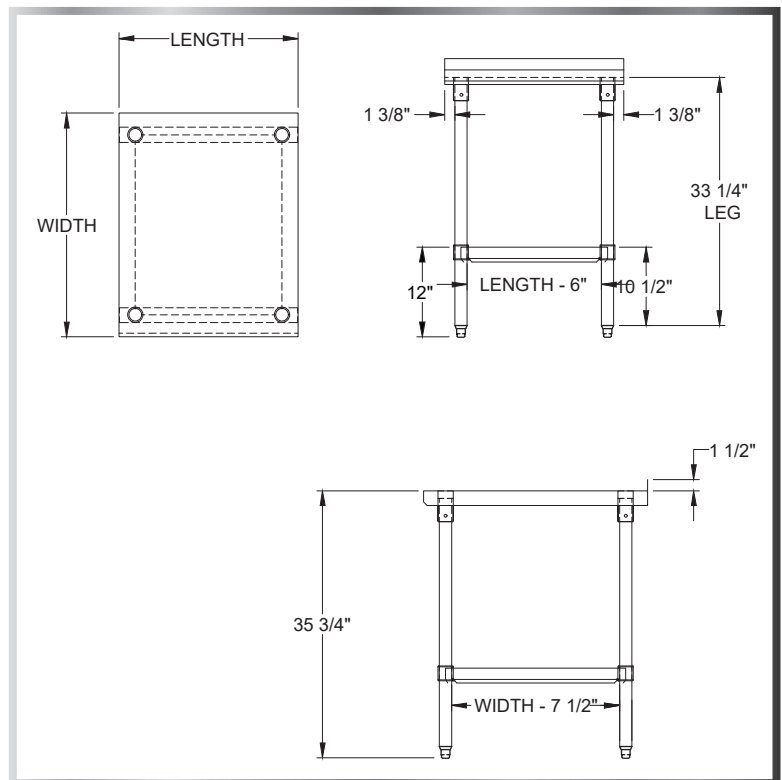


MATERIALS

- 18 Gauge 430 Series Stainless Steel Top
- Galvanized Legs
- Plastic Bullet Feet

FEATURES

- 1-1/2" Backsplash
- Straight Turndown Edges
- Adjustable Lower Shelf and Bullet Feet



MODEL NUMBER	LENGTH	WIDTH
TG-F1524	15"	24"
TG-F1530	15"	30"
TG-F1824	18"	24"
TG-F1830	18"	30"
TG-F2430	24"	30"