

HEAVY DUTY CORNER WORK CABINET WITH ENCLOSED BASE

CABINETS - CORNER

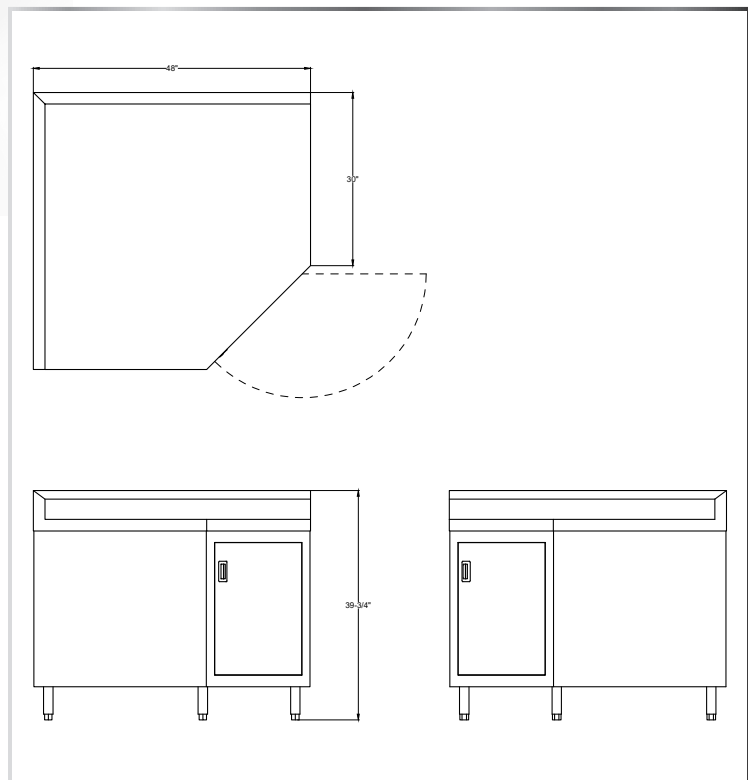


MATERIALS

- 14 Gauge 304 Stainless Steel Top
- 18 Gauge 304 Stainless Steel Base
- Stainless Steel Middle Shelf, Legs, and Panels on Sides and Rear

FEATURES

- 5" Backsplash
- Enclosed Cabinet Base
- Fully Welded and Assembled
- Adjustable Middle Shelf and Fixed Lower Shelf
- One Hinged Door
- Adjustable Legs



MODEL NUMBER	LENGTH	WIDTH
TCBC-3624R5	36"	24"
TCBC-4830R5	48"	30"