

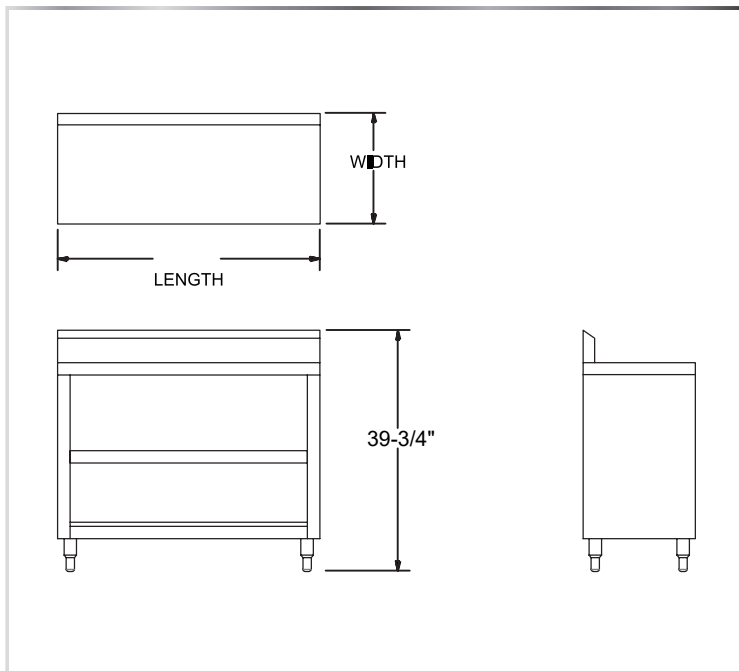
WORKTABLE WITH 5" BACKSPLASH, ENCLOSED BASE, & OPEN FRONT

WORKTABLES - ENCLOSED BASE



MATERIALS

- 14 Gauge 304 Stainless Steel Top
- 18 Gauge Stainless Steel Body
- Stainless Steel Lower Shelf, Legs, and Bullet Feet



FEATURES

- Enclosed Cabinet Base
- Adjustable Middle Shelf and Fixed Lower Shelf
- Adjustable Legs and Bullet Feet

MODEL NUMBER	LENGTH	WIDTH
TCB-4824R5	48"	24"
TCB-6024R5	60"	24"
TCB-7224R5	72"	24"
TCB-4830R5	48"	30"
TCB-6030R5	60"	30"
TCB-7230R5	72"	30"