

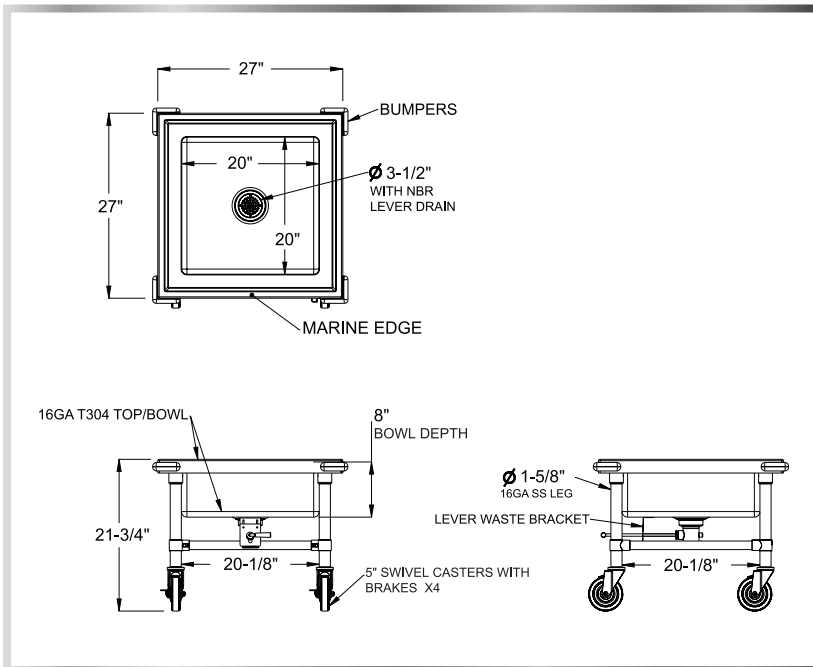
MOBILE SOAK SINK

DISH ROOM - MOBILE



MATERIALS

- 16 Gauge 304 Stainless Steel; Fabricated
- Stainless Steel Cross-Bracing, Legs, and 5" Swivel Casters With Brake



FEATURES

- Marine Edges
- Gray Bumpers
- Twist Lever Waste Drain Included
- Includes Swivel Casters With Brakes

MODEL NUMBER

SKS-2020

SOAK SINK SIZE

20" x 20" x 8"