

# 3-BOWL 2-DRAINBOARD CORNER DISH TABLE

DISH TABLES - 3 BOWL CORNER



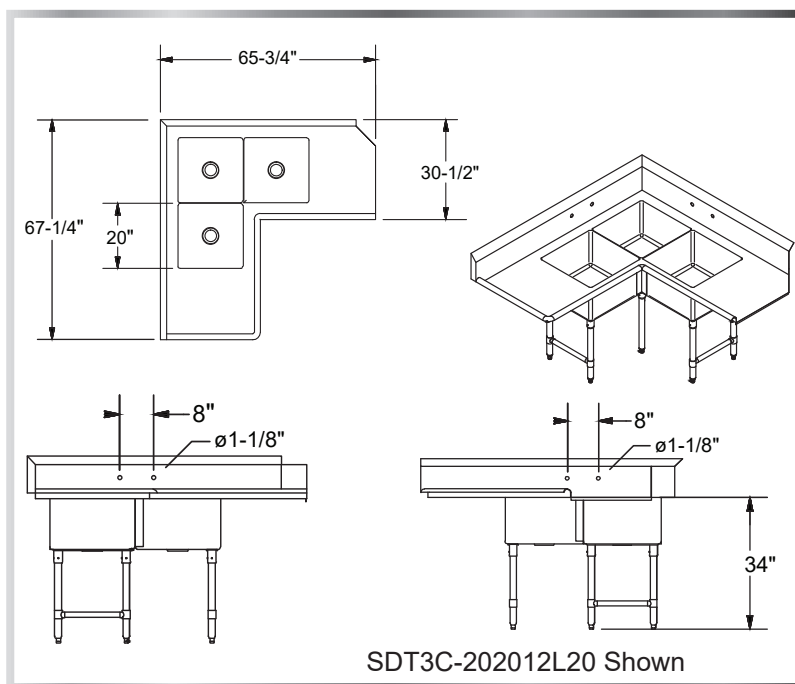
## MATERIALS

- 18 Gauge 304 Stainless Steel Top
- Galvanized Legs, Gussets, and Bracing
- Plastic Bullet Feet

## FEATURES

- Designed to Fit Into Dish Machine
- 9" Backsplash with 2" Return to Wall
- Two Sets of 8" On-Center Wall-Mounted Faucet Holes
- 3-1/2" Die-Stamped Drain Opening
- Two 20" Drainboards
- Adjustable Bullet Feet
- Drain Basket Included

Include a Faucet, Waste Drain, and More With Your Order!  
(See Pages 86-91)



MODEL NUMBER	BOWL SIZE L X W X H	LENGTH	WIDTH	DRAIN-BOARD SIZE
SDT3C-202012L20	20" x 20" x 12"	65-3/4"	30-1/2"	20"
SDT3C-202012R20	20" x 20" x 12"	65-3/4"	30-1/2"	20"