

3-BOWL SOILED DISH TABLE

DISH TABLES - 3 BOWLS

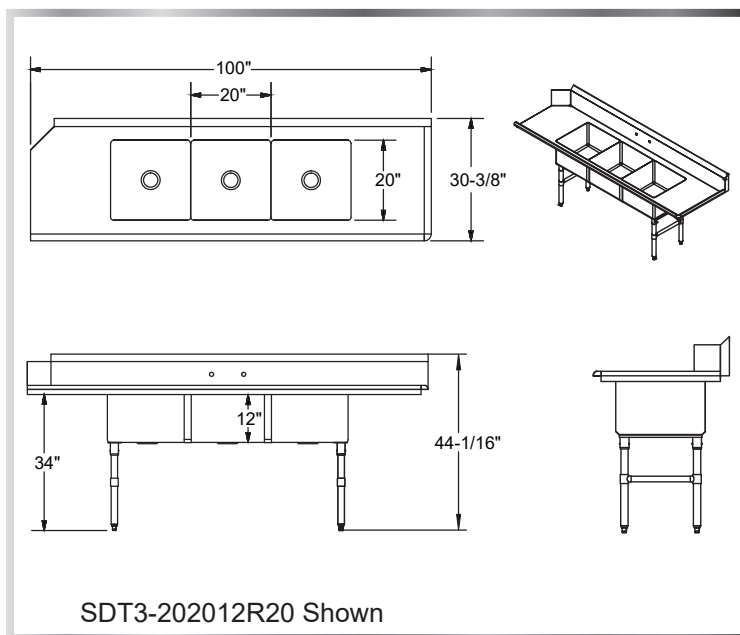


MATERIALS

- 18 Gauge 304 Stainless Steel Top
- Galvanized Legs, Gussets, and Bracing
- Plastic Bullet Feet

FEATURES

- Designed to Fit Into Dish Machine (Left or Right Side)
- 10" Backsplash with 2" Return to Wall At 45°
- One Set of 8" On-Center Wall-Mounted Faucet Holes
- 3-1/2" Die-Stamped Drain Openings With Drain Baskets Included
- Two 20" Drainboards (1 on Each Side)
- Adjustable Bullet Feet



Include a Faucet, Waste Drain, and More With Your Order!
(See Pages 86-91)

| MODEL NUMBER | BOWL SIZE L X W X H | LENGTH | WIDTH | DRAIN-BOARD SIZE |
|----------------|---------------------|--------|---------|------------------|
| SDT3-202012L20 | 20" x 20" x 12" | 100" | 30-3/8" | 20" |
| SDT3-202012R20 | 20" x 20" x 12" | 100" | 30-3/8" | 20" |