

# PREMIUM SOILED DISH TABLE (RIGHT TO LEFT OPERATION)

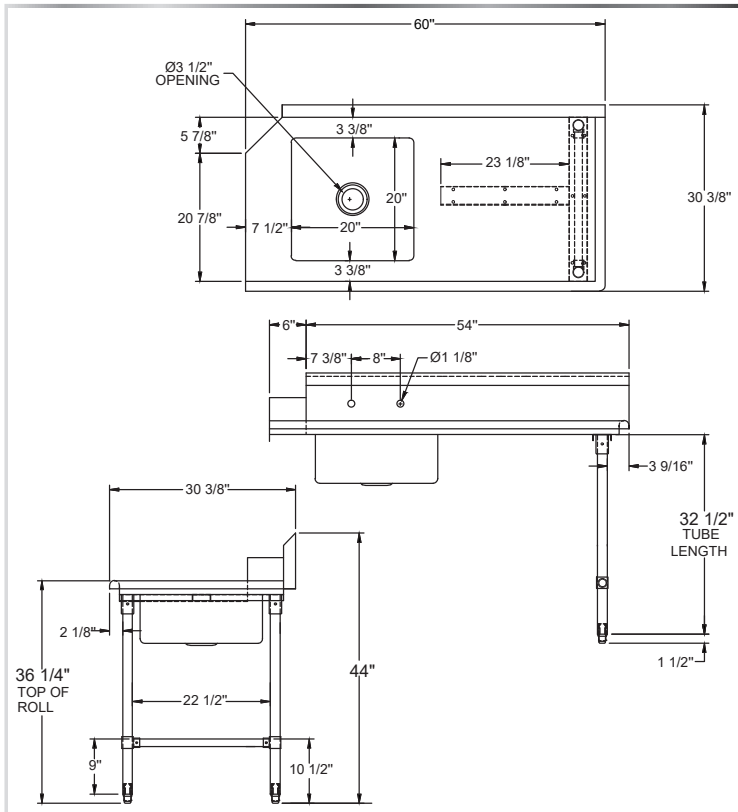


## DISH TABLES - SOILED

### MATERIALS

- 16 Gauge 304 Stainless Steel Top
- Stainless Steel Legs and Bullet Feet

**\*See Page 24 For The  
NEW NBR Dishable  
Undershelf (DTU)\***



### FEATURES

- Straight Design
- 10" Backsplash with 2" Return to Wall At 45°
- 8" On-Center Wall-Mounted Faucet Holes
- Rolled Front and Side Edges
- One Deep Pre-Rinse Sink on Left Side
- Adjustable Bracing and Bullet Feet
- Drain Basket Included

Include a Faucet, Waste Drain, and More  
With Your Order!  
(See Pages 86-91)

MODEL NUMBER	BOWL SIZE L X W X H	LENGTH	WIDTH
SDT-26R-16	16" x 20" x 8"	26"	30-3/8"
SDT-36R-16	20" x 20" x 8"	36"	30-3/8"
SDT-48R-16	20" x 20" x 8"	48"	30-3/8"
SDT-60R-16	20" x 20" x 8"	60"	30-3/8"
SDT-72R-16	20" x 20" x 8"	72"	30-3/8"