

PREMIUM SOILED DISH TABLE (LEFT TO RIGHT OPERATION)

DISH TABLES - SOILED



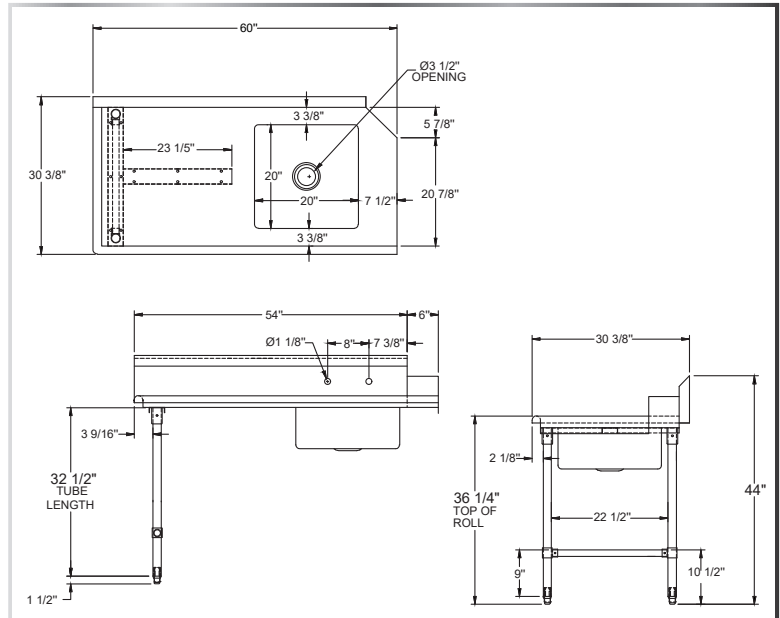
MATERIALS

- 16 Gauge 304 Stainless Steel Top
- Stainless Steel Legs and Bullet Feet

***See Page 24 For The
NEW NBR Dishtable
Undershelf (DTU)***

FEATURES

- Straight Design
- 10" Backsplash with 2" Return to Wall At 45°
- 8" On-Center Wall-Mounted Faucet Holes
- Rolled Front and Side Edges
- One Deep Pre-Rinse Sink on Right Side
- Adjustable Bracing and Bullet Feet
- Drain Basket Included



Include a Faucet, Waste Drain, and More
With Your Order!
(See Pages 86-91)

MODEL NUMBER	BOWL SIZE L X W X H	LENGTH	WIDTH
SDT-26L-16	16" x 20" x 8"	26"	30-3/8"
SDT-36L-16	20" x 20" x 8"	36"	30-3/8"
SDT-48L-16	20" x 20" x 8"	48"	30-3/8"
SDT-60L-16	20" x 20" x 8"	60"	30-3/8"
SDT-72L-16	20" x 20" x 8"	72"	30-3/8"