

# ECONOMY 1-BOWL PREP TABLE WITH 5" BACKSPLASH (BOWL ON RIGHT)

WORKTABLES - WITH

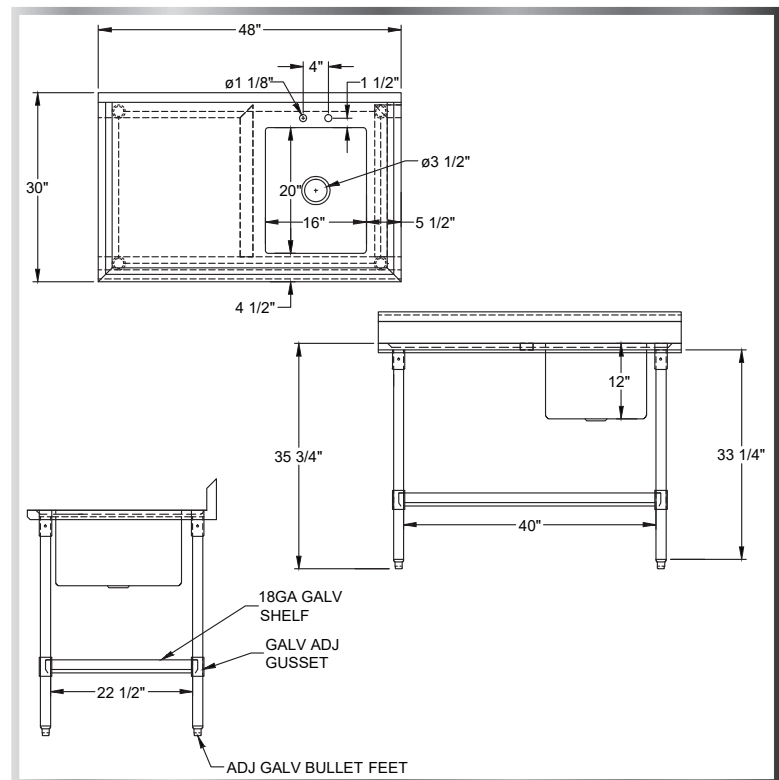


## MATERIALS

- 18 Gauge 304 Stainless Steel
- Galvanized Lower Shelf, Legs, and Bullet Feet

## FEATURES

- 4" On-Center Deck-Mounted Faucet Holes
- 10" Deep Sink Bowl (On Right Side)
- Adjustable Lower Shelf and Bullet Feet
- Marine Edges
- Drain Basket Included



Include a New 4" OC Faucet and Sink Bowl Cover With Your Order!  
(See Pages 85 & 87)

MODEL NUMBER	BOWL SIZE L X W X H	LENGTH	WIDTH
PTG-1620R4	16" x 20" x 10"	48"	30"
PTG-1620R5	16" x 20" x 10"	60"	30"
PTG-1620R6	16" x 20" x 10"	72"	30"