

# DOUBLE RACK OVER SHELF FOR REFRIGERATED UNITS

SHELVING - REFRIGERATION

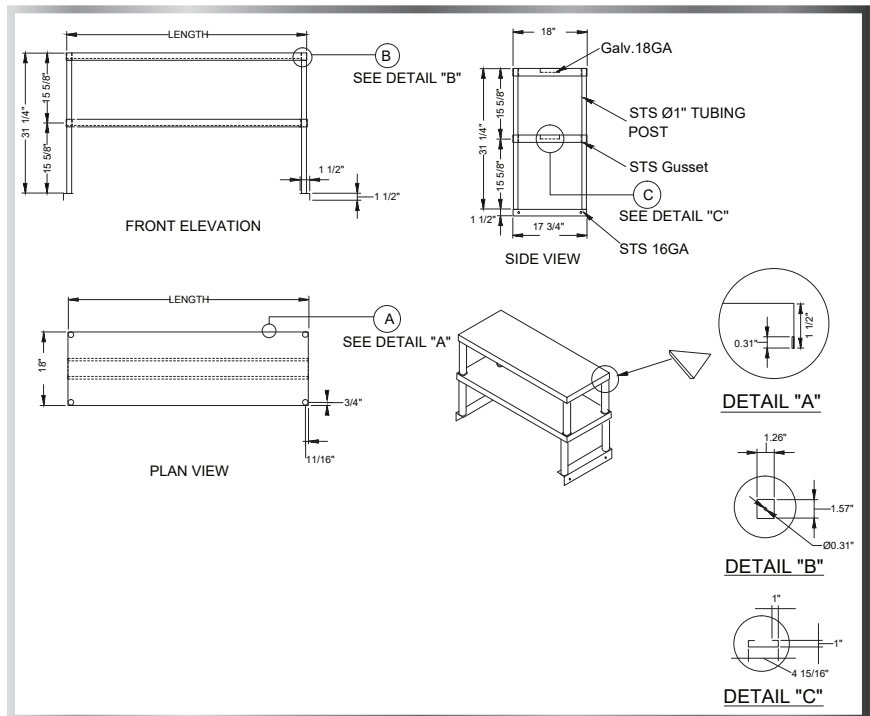


## MATERIALS

- 18 Gauge 304 Stainless Steel

## FEATURES

- Two Racks (1 Fixed, 1 Adjustable)
- Square Turndown Edges
- Custom Refrigerator Counter Mounting Brackets Included



MODEL NUMBER	LENGTH	WIDTH
PSMS-1248D	48"	12"
PSMS-1260D	60"	12"
PSMS-1272D	72"	12"
PSMS-1848D	48"	18"
PSMS-1860D	60"	18"
PSMS-1872D	72"	18"