



60"-72" Modular Bar Stations with Liquor Displays & Recessed drain boards

Material

- 18GA T304 top & base
- Stainless steel legs & adjustable bullet feet

Details

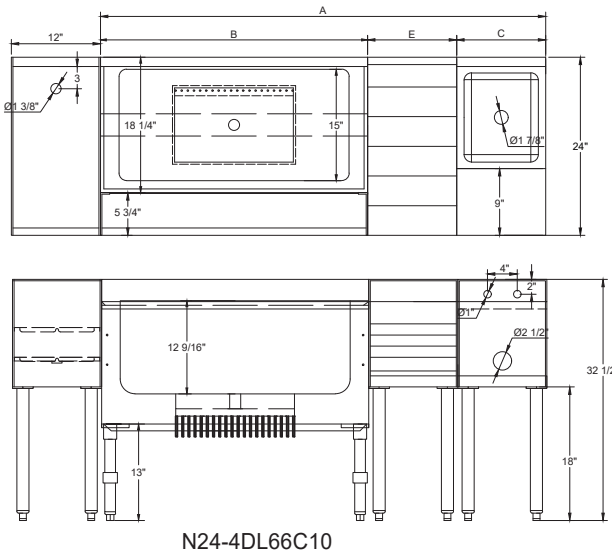
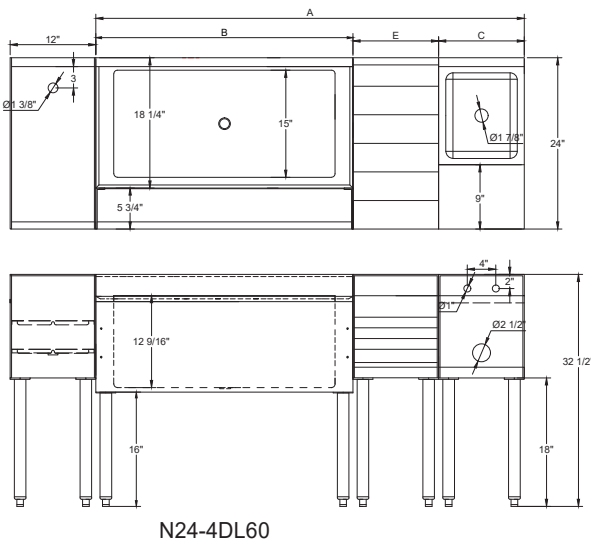
- Ice bin with cold plate: 1/2" NPS
- Ice bin without cold plate: 1" NPS
- Drain board: 1" NPS
- Sink: 1-1/2" NPS



Features

- 24" Depth front to back, 3"H backsplash, 32-1/2" overall Height
- 36" Length Ice Bin, NIB-XX18 or NIB-XX18CX
- Blender dump sink, NBS-1224H
- Recessed Drian Board, NDDB-1224
- Liquor Display, NLD-1224
- Singel speed rail, NSR-24 or NSR-30 or NSR-36
- Removable bottle wells, BW3-18

Model	Overall Length (A)	Ice Bin Length (B)	Blender Dump Sink Length (C)	Drainboard Length (D)	Liquor Display Length (E)	Drainboard Style	Ice Capacity (lbs)	Cold Plate Circuits	Weight (lbs)
N24-4DL60	60"	24"	12"	12"	12"	Recessed	66		166
N24-4DL66	66"	30"	12"	12"	12"	Recessed	80		172
N24-4DL72	72"	36"	12"	12"	12"	Recessed	100		178
N24-4DL60C7	60"	24"	12"	12"	12"	Recessed	66	7	209
N24-4DL66C10	66"	30"	12"	12"	12"	Recessed	80	10	251
N24-4DL72C10	72"	36"	12"	12"	12"	Recessed	100	10	262



UNDERBAR - WORKSTATIONS

