

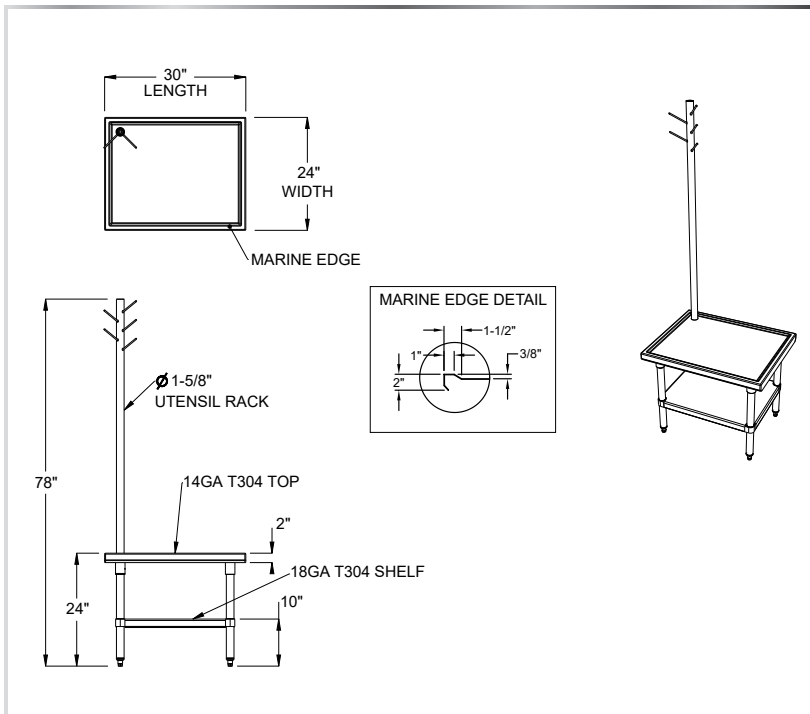
MIXER STAND

STANDS - MIXER



MATERIALS

- 14 Gauge 304 Stainless Steel Top
- 18 Gauge 304 Stainless Steel Undershef
- Stainless Steel Legs, and Bullet Feet



FEATURES

- Marine Edges
- Adjustable Undershef
- 78" High Stainless Steel Utensil Rack with Stainless Steel Hooks

To Add Casters...See Page 138

MODEL NUMBER	LENGTH	WIDTH
MSS-2424UR	24"	24"
MSS-3024UR	30"	24"
MSS-3030UR	30"	30"