

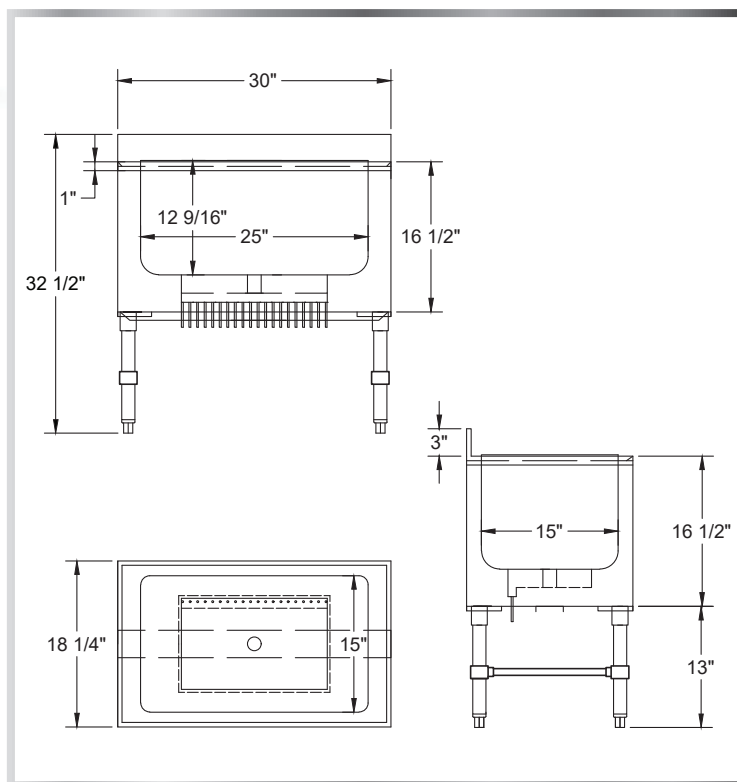
ICE BIN WITH COLD PLATE

UNDERBAR - ICE BINS



MATERIALS

- 18 Gauge 304 Stainless Steel; Fabricated
- 10-Circuit Aluminum Cold Plate
- Stainless Steel Legs and Bracing



FEATURES

- 80-170 lbs. Capacity
- 12-⁹/₁₆" Deep Insulated Ice Bin
- 4" Backsplash

MODEL NUMBER	LENGTH	WIDTH
IBC-3018C10	30"	18- ¹ / ₄ "
IBC-3021C10	30"	21- ¹ / ₄ "
IBC-3618C10	36"	18- ¹ / ₄ "
IBC-3621C10	36"	21- ¹ / ₄ "
IBC-4818C10	48"	18- ¹ / ₄ "
IBC-4821C10	48"	21- ¹ / ₄ "