

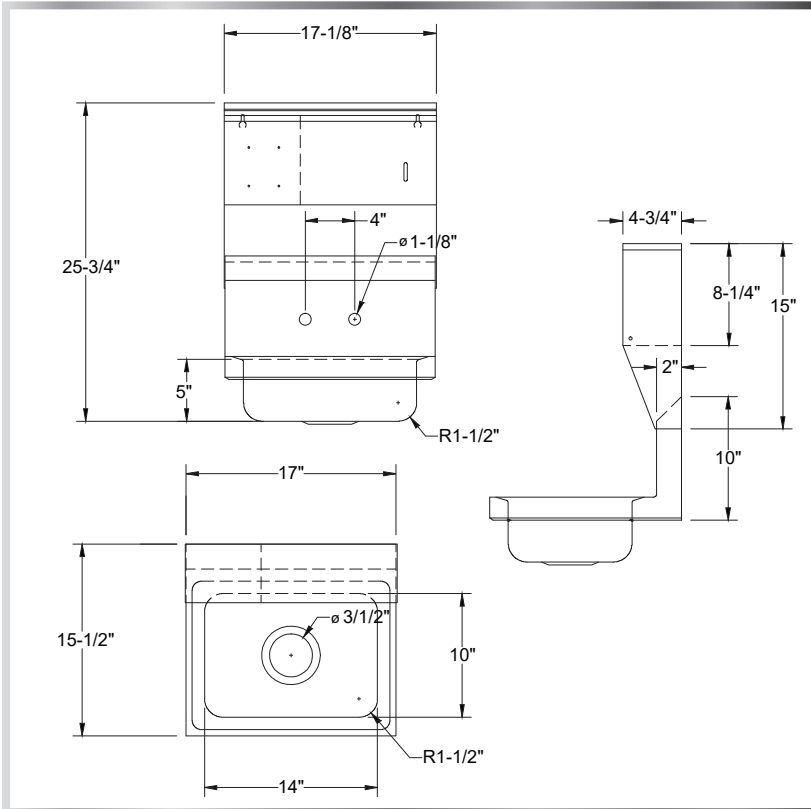
WALL-MOUNT HAND SINK

SINKS - HAND



MATERIALS

- 18 Gauge 304 Stainless Steel; Fabricated



FEATURES

- 4" On-Center Wall-Mounted Faucet Holes
- 3-1/2" Drain Opening
- Includes Towel Dispenser, Soap Dispenser and Drain Basket (STN-3)

Include a New 4" OC Faucet With Your Order!
(See Page 87)

MODEL NUMBER

HS2-W2-4-TD

HAND SINK SIZE

14" x 10" x 5"