

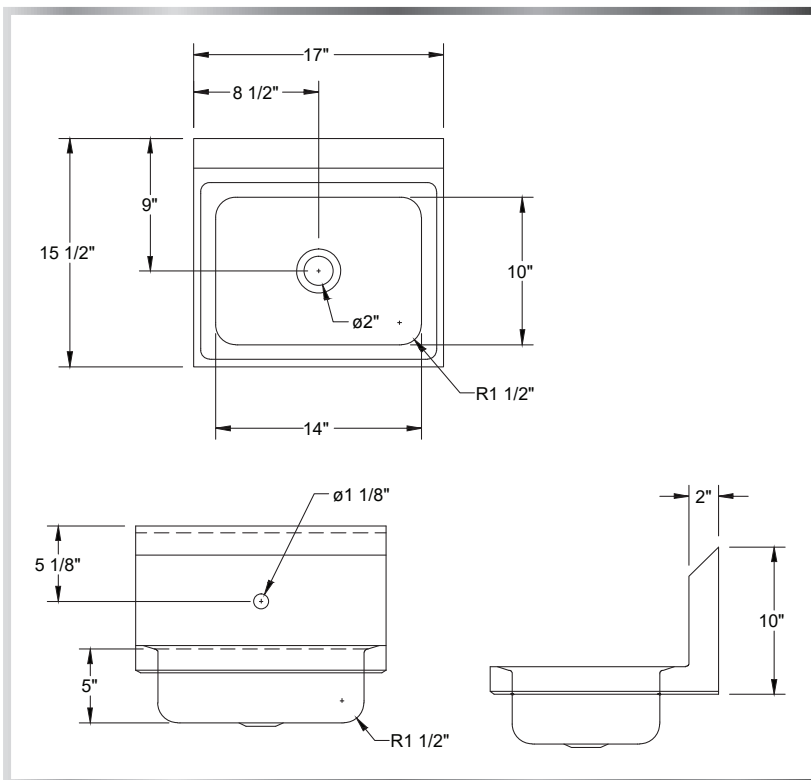
WALL-MOUNT HAND SINK

SINKS - HAND



MATERIALS

- 18 Gauge 304 Stainless Steel; Fabricated



FEATURES

- Wall-Mounted Hole For Faucet
- 8" Backsplash
- Includes Drain (STN-2) and Mounting Kit

Include a Faucet With Your Order!
(See Pages 88-89)

MODEL NUMBER	HAND SINK SIZE
HS2-W1	14" x 10" x 5"