

WALL-MOUNT PEDESTAL HAND SINK

SINKS - HAND

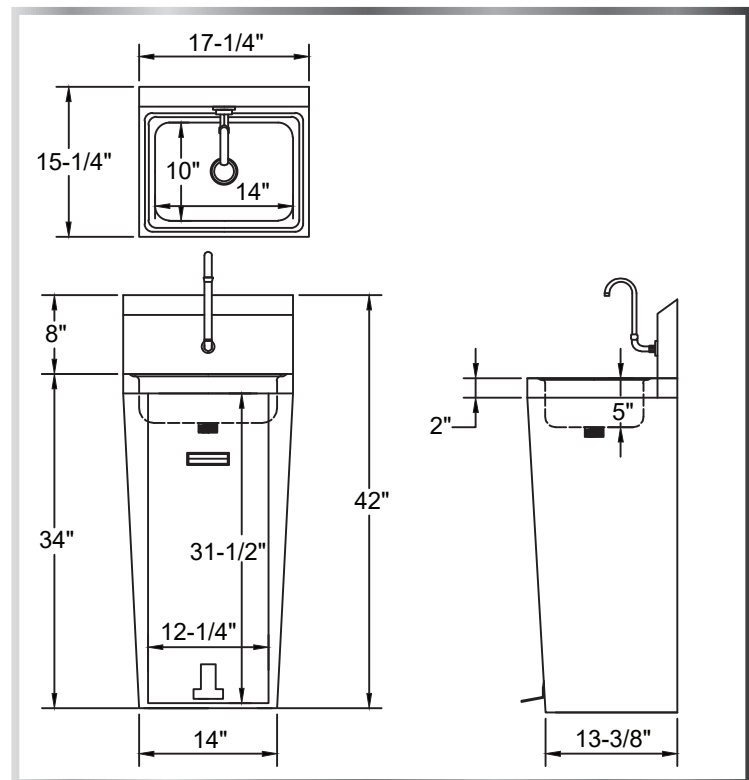


MATERIALS

- 18 Gauge 304 Stainless Steel; Fabricated

FEATURES

- **Wall-Mounted Gooseneck Faucet Included!**
- Stand With Pedestal Foot Valve For Hands-Free Operation
- Single Pedal Valves With 3/8" NPT Female Inlets
- Includes Drain Basket (STN-2)



MODEL NUMBER

HS2-W1-PD

HAND SINK SIZE

14" x 10" x 5"