

# WALL-MOUNT HAND SINK

SINKS - HAND



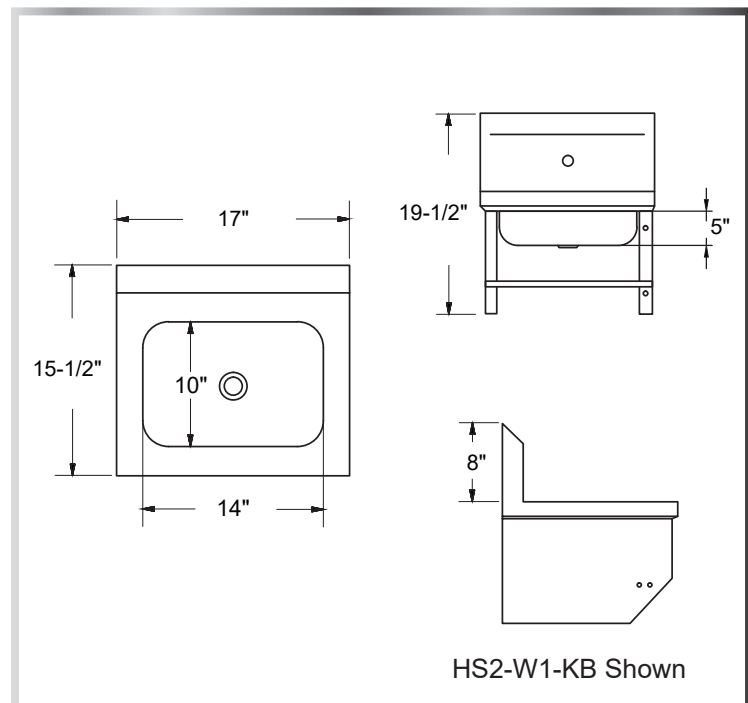
## MATERIALS

- 18 Gauge 304 Stainless Steel; Fabricated

## FEATURES

- Wall-Mounted Hole For Faucet
- 8" Backsplash
- Knee Valve Bracket For Hands-Free Operation
- Includes Drain (STN-2)
- \* Has Side And Backsplashes

Include a Faucet With Your Order!  
(See Pages 88-89)



MODEL NUMBER	HAND SINK SIZE
HS2-W1-KB	14" x 10" x 5"
HS2-W1-LR-KB*	14" x 10" x 5"