

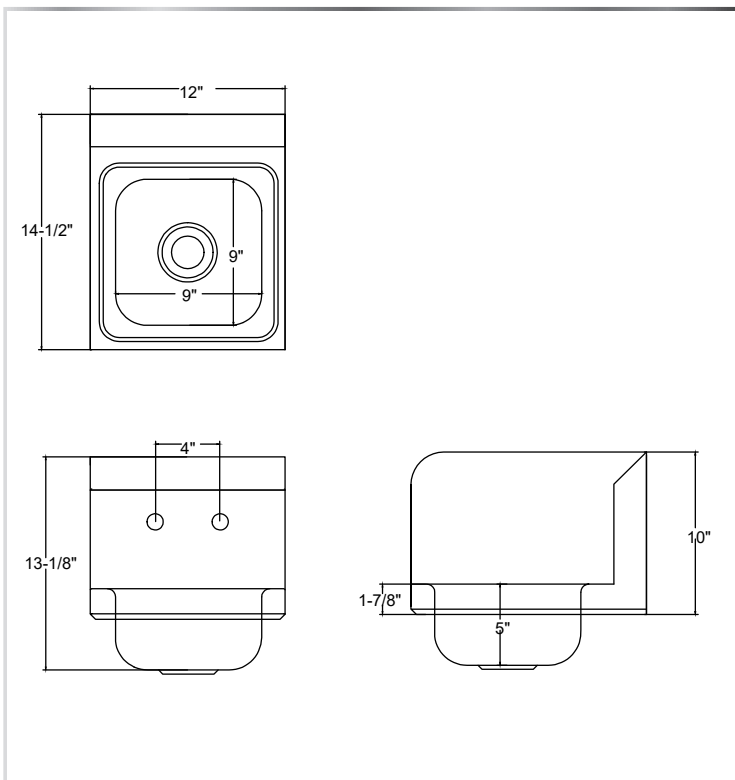
WALL-MOUNT SPACE SAVER HAND SINK

SINKS - HAND



MATERIALS

- 18 Gauge 304 Stainless Steel; Fabricated



FEATURES

- Marine Edges
- 4" On-Center Wall-Mounted Faucet Holes
- 7-1/2" Splashes On Sides and Rear
- Includes Drain Basket (STN-2) and Mounting Kit

Include a New 4" OC Faucet With Your Order!
(See Page 87)

MODEL NUMBER

HS1-W2-LR

HAND SINK SIZE

9" x 9" x 5"