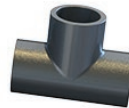


GREASE INTERCEPTOR

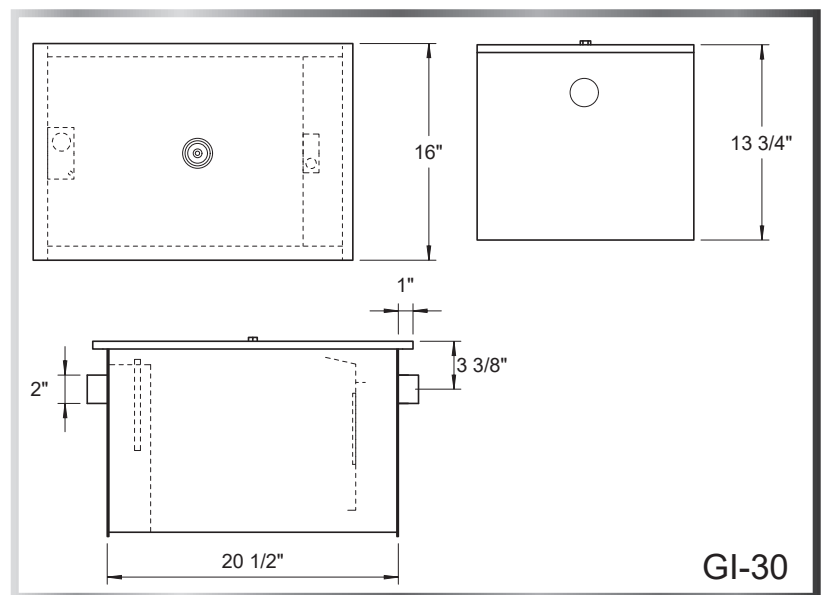


MATERIALS

- 11 Gauge Carbon Steel Construction with Epoxy Coating

FEATURES

- Non-Skid Deck Plate
- Removable Baffles



MODEL NUMBER	LENGTH	WIDTH	INLET/OUTLET	CAPACITY	GALLONS PER MIN
GI-8	18"	10"	2"	8 Lbs.	4 Gallons
GI-14	20"	13"	2"	14 Lbs.	7 Gallons
GI-20	23- ⁵ / ₈ "	14- ³ / ₈ "	2"	20 Lbs.	10 Gallons
GI-30	23- ⁵ / ₈ "	15- ³ / ₈ "	2"	30 Lbs.	15 Gallons
GI-40	26- ³ / ₄ "	16- ³ / ₁₀ "	3"	40 Lbs.	20 Gallons
GI-50	29- ³ / ₅ "	17- ³ / ₁₀ "	3"	50 Lbs.	25 Gallons
GI-70	31- ⁷ / ₁₀ "	18"	3"	70 Lbs.	35 Gallons
GI-100	34- ¹ / ₄ "	22- ¹ / ₂ "	4"	100 Lbs.	50 Gallons