

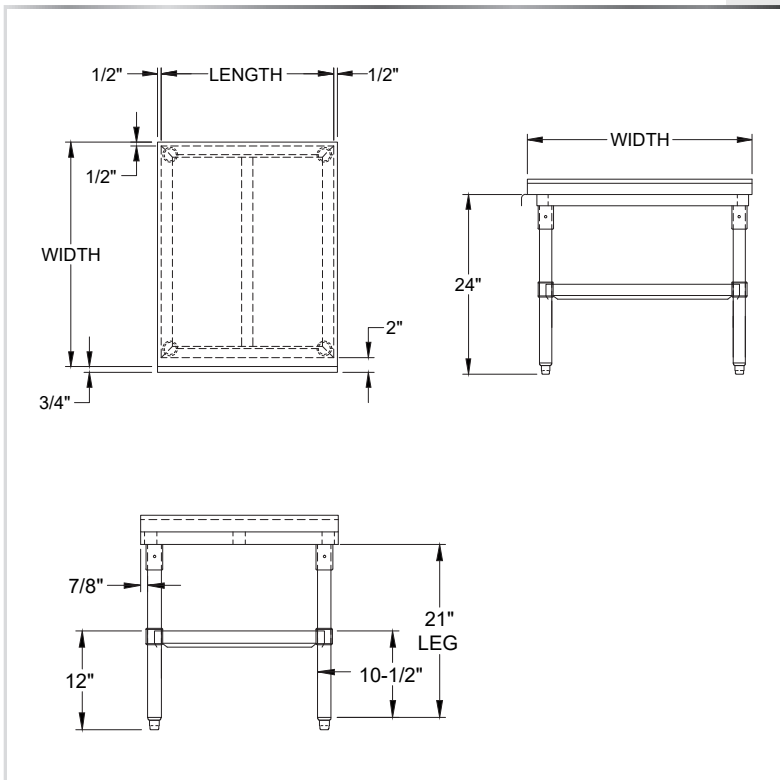
# PREMIUM EQUIPMENT STAND

STANDS - EQUIPMENT



## MATERIALS

- 18 Gauge 430 Series Stainless Steel Top
- Stainless Steel Lower Shelf
- Stainless Steel Legs and Bullet Feet



## FEATURES

- 2" Turned Up Edge on Back and Sides
- Adjustable Lower Shelf and Bullet Feet
- \*ESS-7230 Has 6 Legs

**\*To Add Casters...See Page 138\***

MODEL NUMBER	LENGTH	WIDTH
ESS-1530	15"	30"
ESS-1830	18"	30"
ESS-2430	24"	30"
ESS-3630	36"	30"
ESS-4830	48"	30"
ESS-6030	60"	30"
ESS-7230*	72"	30"