

ECONOMY EQUIPMENT STAND

STANDS - EQUIPMENT



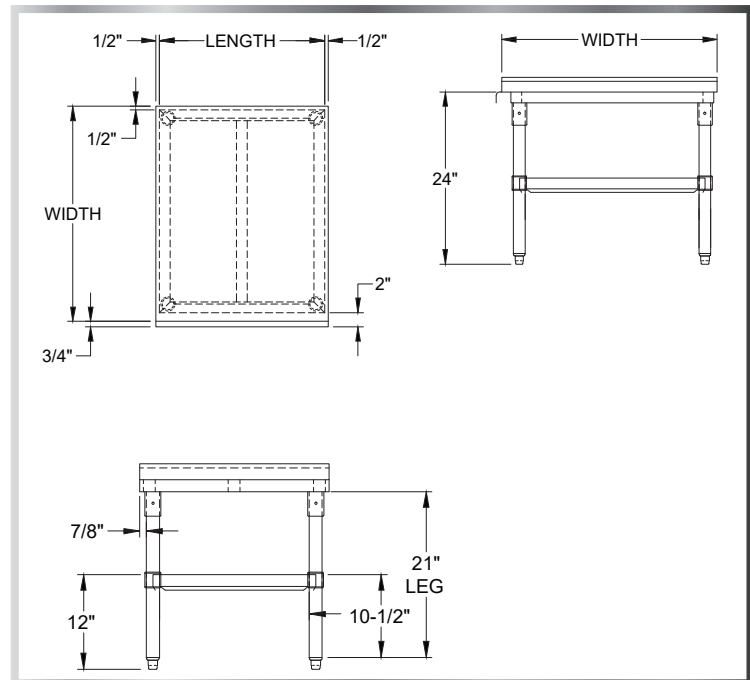
MATERIALS

- 18 Gauge 430 Series Stainless Steel Top
- Galvanized Legs and Lower Shelf
- Plastic Bullet Feet

FEATURES

- 2" Turned Up Edge on Back and Sides
- Adjustable Lower Shelf and Bullet Feet
- *ESG-7230 Has 6 Legs

To Add Casters...See Page 138



MODEL NUMBER	LENGTH	WIDTH
ESG-1530	16"	30"
ESG-1830	19"	30"
ESG-2430	25"	30"
ESG-3630	37"	30"
ESG-4830	49"	30"
ESG-6030	61"	30"
ESG-7230*	73"	30"