

OPEN FRONT DISH CABINET

CABINETS - DISH

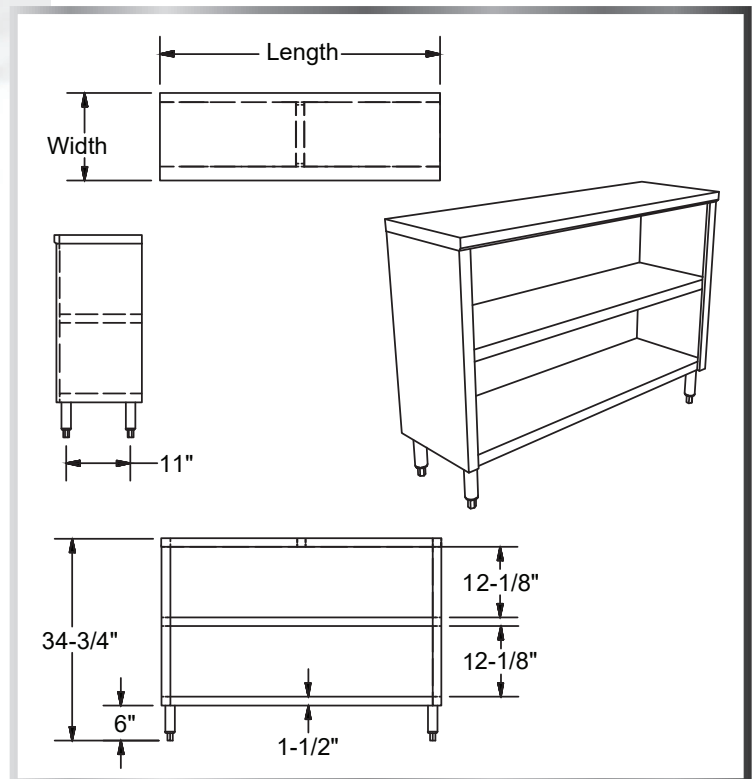


MATERIALS

- 14 Gauge 304 Stainless Steel Top
- 18 Gauge Stainless Steel Base
- Stainless Steel Legs and Bullet Feet

FEATURES

- Fixed Middle Shelf Position
- Adjustable Bullet Feet



MODEL NUMBER	LENGTH	WIDTH
DC-1536	36"	15"
DC-1548	48"	15"
DC-1560	60"	15"
DC-1572	72"	15"
DC-1836	36"	18"
DC-1848	48"	18"
DC-1860	60"	18"
DC-1872	72"	18"