

ECONOMY CLEAN DISH TABLE (LEFT TO RIGHT OPERATION)



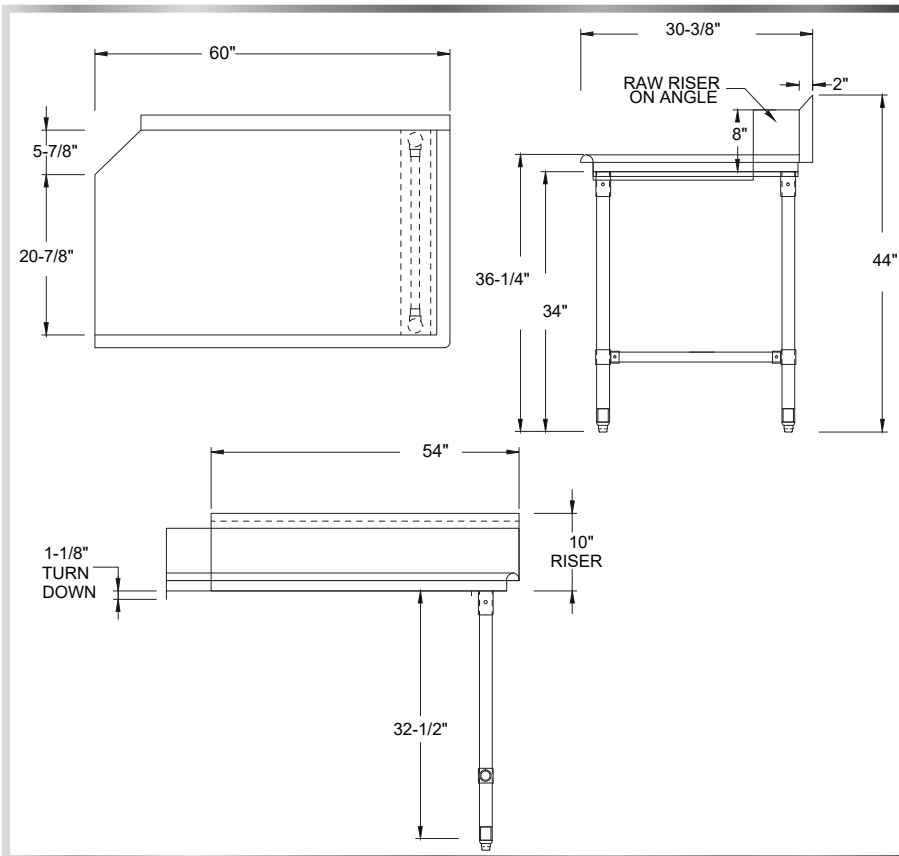
DISH TABLES - CLEAN

MATERIALS

- 18 Gauge 304 Stainless Steel Top
- Galvanized Legs and Gussets
- Plastic Bullet Feet



***See Page 24 For The
NEW NBR Dishtable
Undershelf (DTU)***



FEATURES

- Straight Design
- 10" Backsplash with 2" Return to Wall At 45°
- Rolled Front and Side Edges
- Adjustable Bracing and Bullet Feet

MODEL NUMBER	LENGTH	WIDTH
CDT-26R	26"	30- ³ / ₈ "
CDT-36R	36"	30- ³ / ₈ "
CDT-48R	48"	30- ³ / ₈ "
CDT-60R	60"	30- ³ / ₈ "
CDT-72R	72"	30- ³ / ₈ "