

# PREMIUM CLEAN DISH TABLE (LEFT TO RIGHT OPERATION)



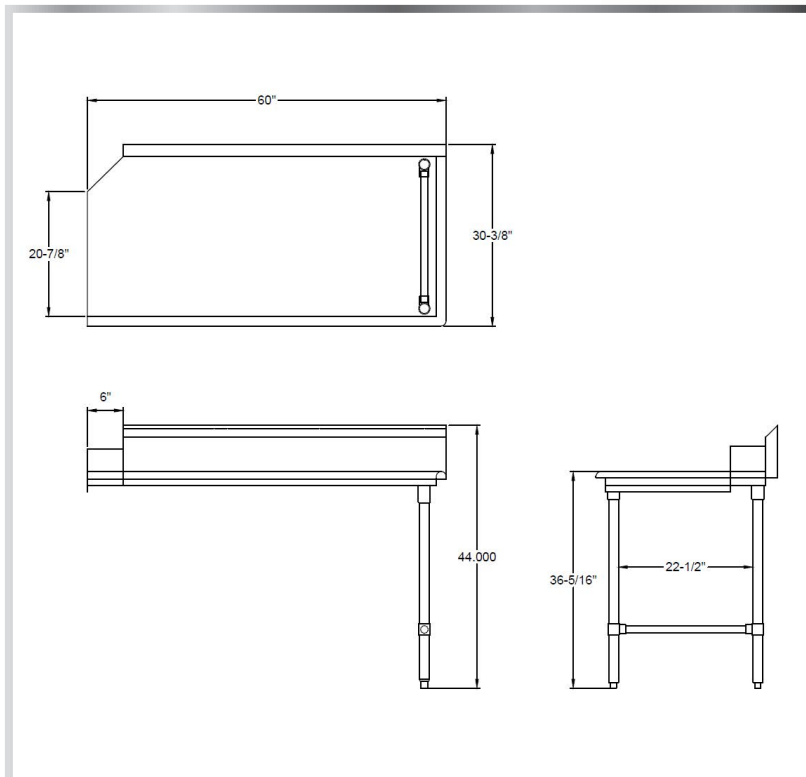
## DISH TABLES - CLEAN

### MATERIALS

- 16 Gauge 304 Stainless Steel Top
- Stainless Steel Legs and Bullet Feet



**\*See Page 24 For The  
NEW NBR Dishtable  
Undershelf (DTU)\***



### FEATURES

- Straight Design
- 10" Backsplash with 2" Return to Wall At 45°
- Rolled Front and Side Edges
- Adjustable Bracing and Bullet Feet

MODEL NUMBER	LENGTH	WIDTH
CDT-24R-16	24"	30-3/8"
CDT-26R-16	26"	30-3/8"
CDT-36R-16	36"	30-3/8"
CDT-48R-16	48"	30-3/8"
CDT-60R-16	60"	30-3/8"
CDT-72R-16	72"	30-3/8"
CDT-96R-16	96"	30-3/8"