

# ECONOMY CLEAN DISH TABLE (RIGHT TO LEFT OPERATION)

DISH TABLES - CLEAN



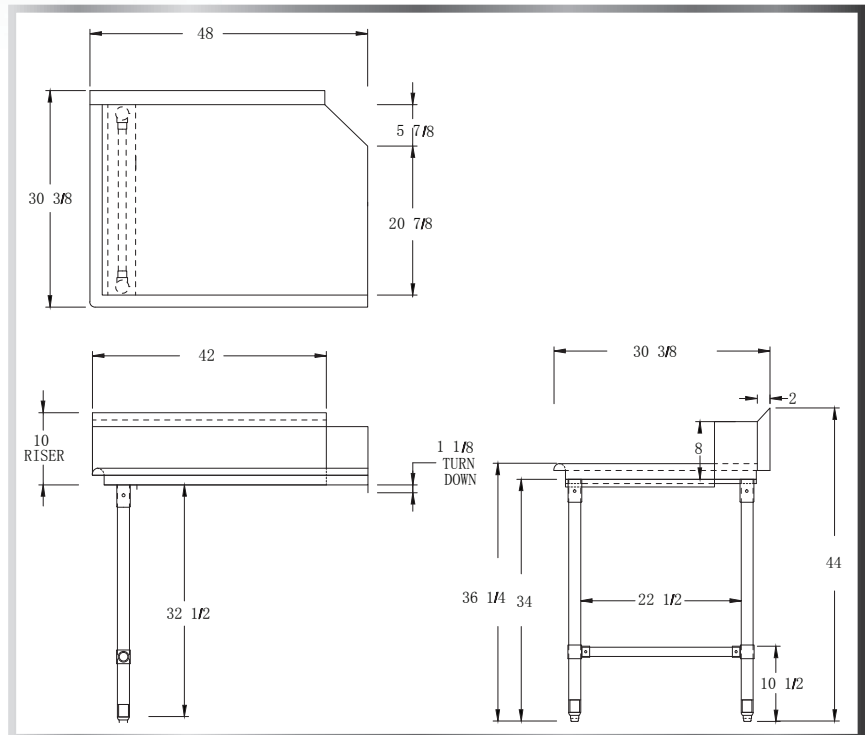
**\*See Page 24 For The  
NEW NBR Dishtable  
Undershelf (DTU)\***

## MATERIALS

- 18 Gauge 304 Stainless Steel Top
- Galvanized Legs and Gussets
- Plastic Bullet Feet

## FEATURES

- Straight Design
- 10" Backsplash with 2" Return to Wall At 45°
- Rolled Front and Side Edges
- Adjustable Bracing and Bullet Feet



MODEL NUMBER	LENGTH	WIDTH
CDT-26L	26"	30-3/8"
CDT-36L	36"	30-3/8"
CDT-48L	48"	30-3/8"
CDT-60L	60"	30-3/8"
CDT-72L	72"	30-3/8"