

HEIGHT ADJUSTABLE WORKTABLE

WORKTABLES - HEIGHT ADJUSTABLE

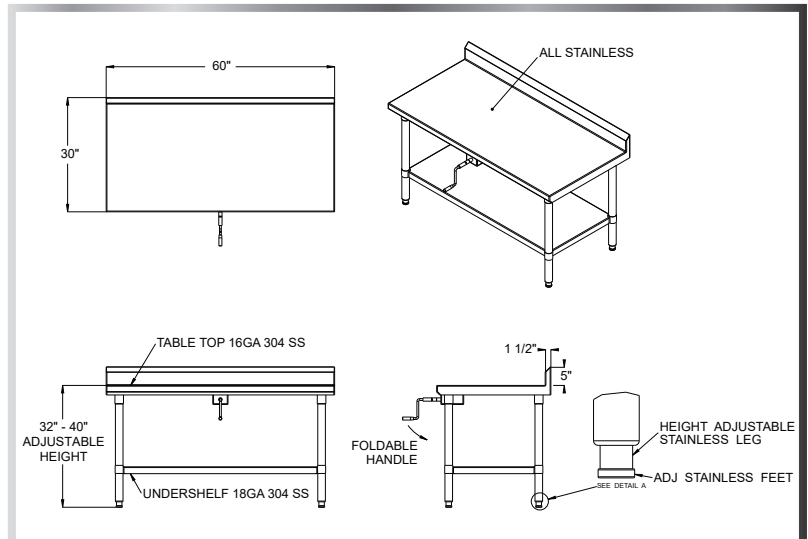


MATERIALS

- 16 Gauge 304 Stainless Steel Top
- 18 Gauge 304 Stainless Steel Under-Shelf
- Stainless Steel Foldable Handle

FEATURES

- 8" Height Adjustment (32"- 40")
- Adjustable Lower Shelf and Bullet Feet
- 5" Backsplash (Right Column)
- Also Available As A Flat Top (Left Column)



Limited Local Inventory
(Special Order Item)
Lead Time 10-12 Weeks

MODEL NUMBER	LENGTH	WIDTH
ATS6-3624	36"	24"
ATS6-4824	48"	24"
ATS6-6024	60"	24"
ATS6-7224	72"	24"
ATS6-3630	36"	30"
ATS6-4830	48"	30"
ATS6-6030	60"	30"
ATS6-7230	72"	30"

MODEL NUMBER	LENGTH	WIDTH
ATS6-3624R5	36"	24"
ATS6-4824R5	48"	24"
ATS6-6024R5	60"	24"
ATS6-7224R5	72"	24"
ATS6-3630R5	36"	30"
ATS6-4830R5	48"	30"
ATS6-6030R5	60"	30"
ATS6-7230R5	72"	30"