

# ECONOMY 2-BOWL 2-DRAINBOARD SINK

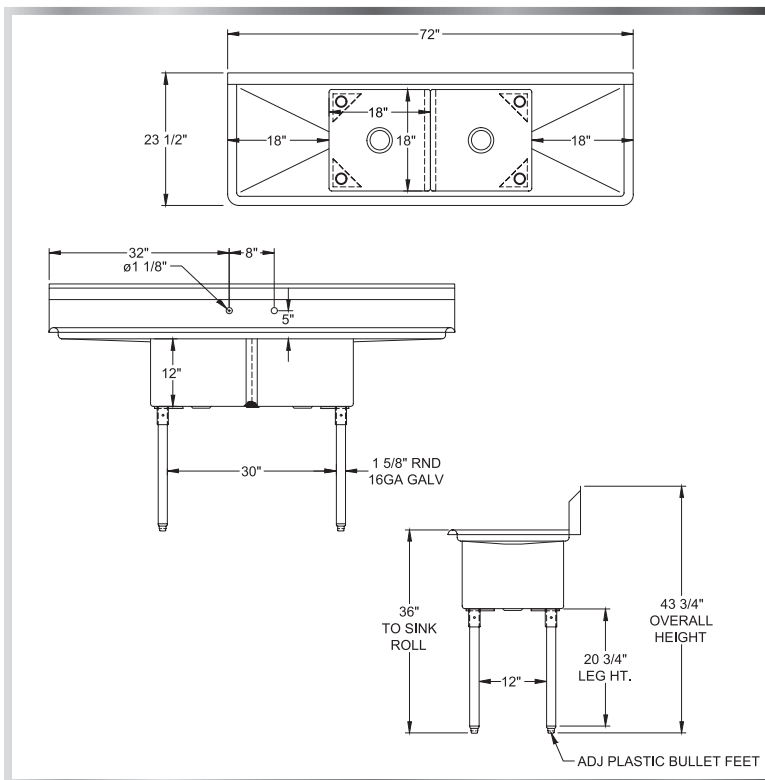


SINKS - 2 BOWLS



## MATERIALS

- 18 Gauge 304 Stainless Steel; Fabricated
- Galvanized Legs and Gussets
- Plastic Bullet Feet



## FEATURES

- 10"H Backsplash with 2" Return to Wall
- 8" On-Center Wall-Mounted Faucet Holes
- 3-1/2" Die-Stamped Drain Opening With Drain Baskets Included
- Two Drainboards (1 on Each Side)
- Adjustable Bullet Feet

Include a Faucet, Waste Drain, and More  
With Your Order!  
(See Pages 85-92)

MODEL NUMBER	BOWL SIZE L X W X H	LENGTH	WIDTH	DRAIN-BOARD SIZE
2SG-162012LR18	16" x 20" x 12"	68"	25-1/2"	18"
2SG-181812LR18	18" x 18" x 12"	72"	23-1/2"	18"
2SG-202012LR18	20" x 20" x 12"	76"	25-1/2"	18"
2SG-242414LR24	24" x 24" x 14"	96"	29-1/2"	24"

(609) 642 - 8389 | SALES@NBREQUIPMENT.COM | WWW.NBREQUIPMENT.COM

NBR EQUIPMENT, 10 ABEEL ROAD, CRANBURY, NJ 08512